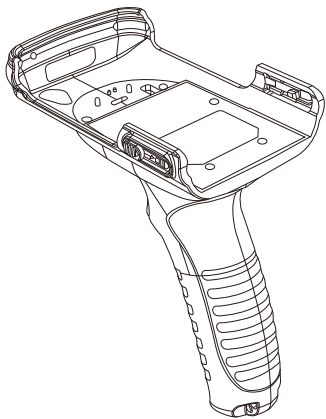
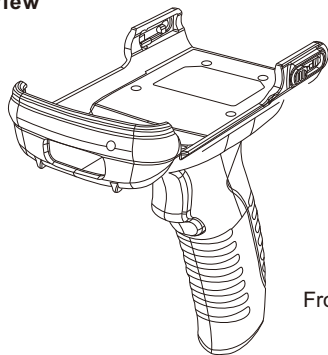


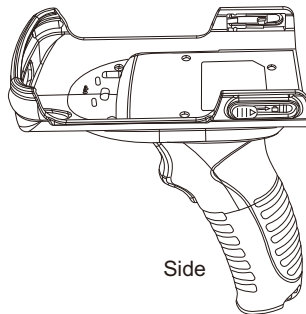
# ME40K Pistol Grip Quick Start Guide



## Overview



Front

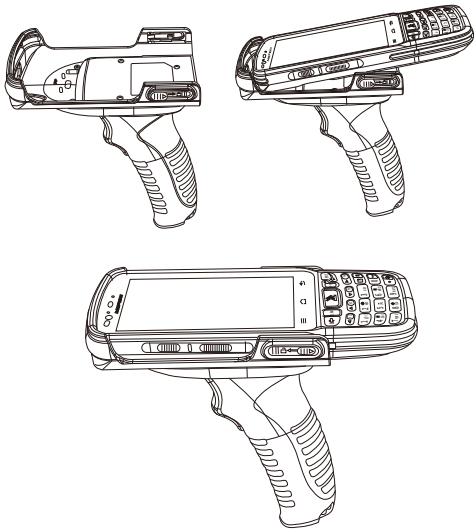


Side

## Instruction manual

### a) Pistol Grip Installation:

Unlock the switch locks on both sides of the Pistol Grip by turning them to the open state. Insert the device diagonally into the Pistol Grip. Push the switch locks from both sides to the closed state, securing the device in place. The installation is now complete.



### b) Extended Use and Stability:

If you plan to use the ME40K with the Pistol Grip for an extended period, follow these steps for added stability: Remove the device's wearable strap buckle and the screws on it to expose the screw holes. Install the Pistol Grip onto the device, aligning it properly. Using the screws provided with the Pistol Grip, tighten them securely into the screw holes you released. This will ensure a more stable installation, providing enhanced grip and usability during prolonged use.

