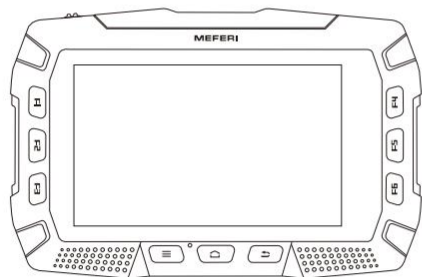
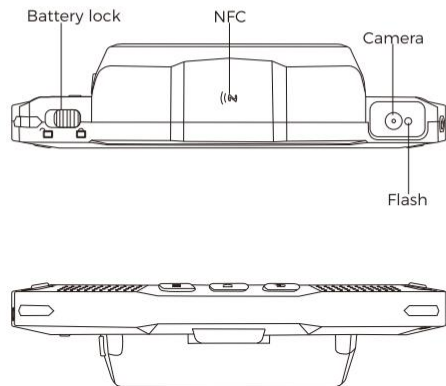
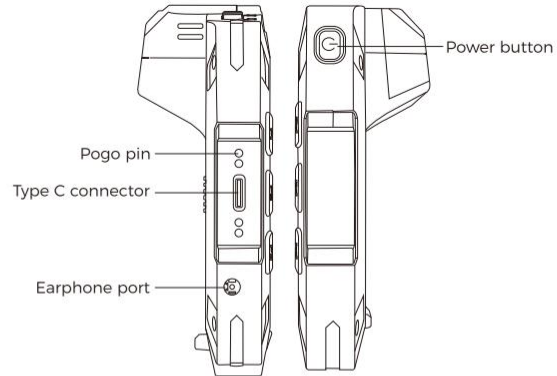
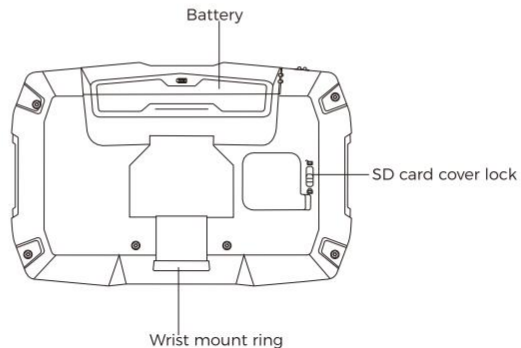
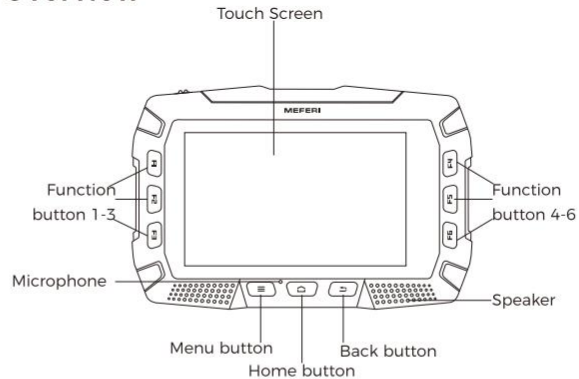


ME10 Wearable Computer Quick Start Guide



Overview



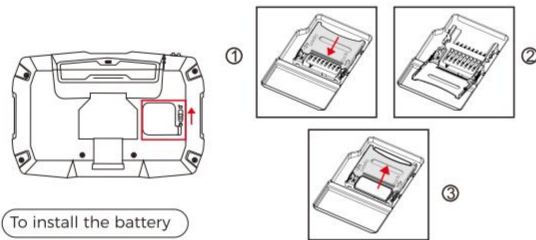
Package Contents

- Device x1
- Battery x1
- Power Adapter x1
- USB Cable x1
- Wrist Mount x1
- Quick Start Guide x1

Instructions for Unpacking

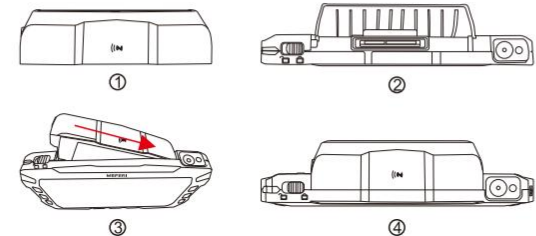
Micro SD card installation

Slide the rear cover lock of the device upwards to the open state, open the rear cover, slide the silver SD card cover in the "open" direction, then lift the card cover to put in the SD card, and finally slide the card cover in the "lock" direction to fix it.



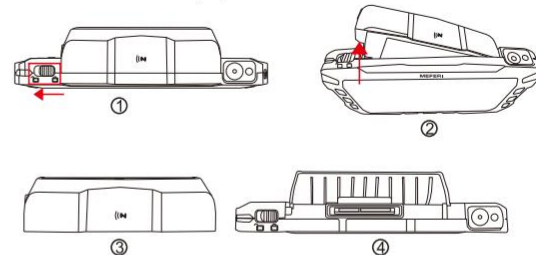
To install the battery

1. Insert the right half of the battery obliquely into the battery compartment, with the battery label facing upward and the NFC facing outward.
2. Press the upper left corner of the battery to fully insert the battery.



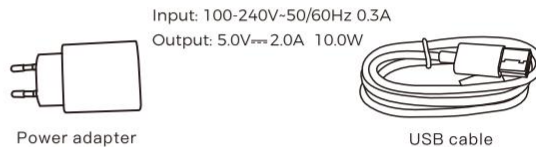
Battery removal

Slide the silver battery lock next to the battery to the left to the open position, and press the finger on the left side of the battery to take out the battery upwards.



Instructions for Charging





Connect the USB-A port to the adapter, and the other end to the device.



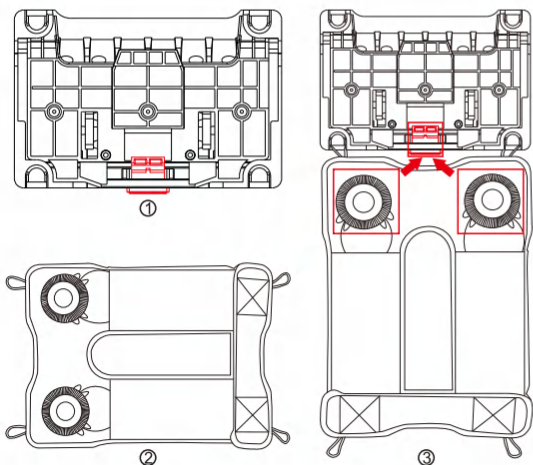
Power Options

- Power on: Press and hold the power button until you see a splash on the device.
- Power off: Press and hold the power button until a pop-up window appears and then click "Power off".
- Restart: Press and hold the power button until a pop-up window appears and then click "Restart".

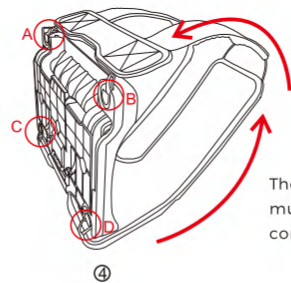
Indicator

Battery		Full power
		Medium power
		Low power
WiFi		WiFi connected
	NONE	WiFi switched off

Wrist mount installation (as shown in the figure below)

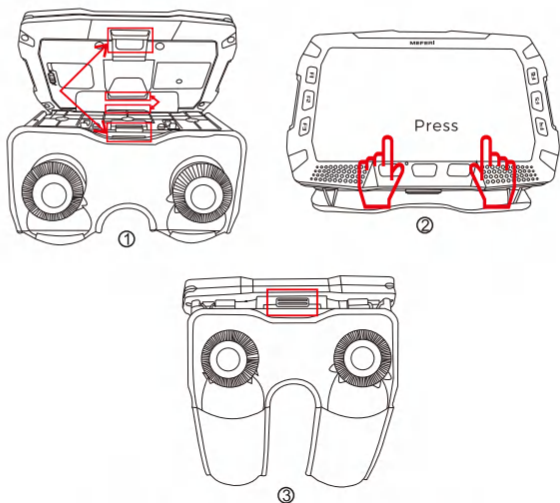


Note: The two knobs should be aligned with the red direction.



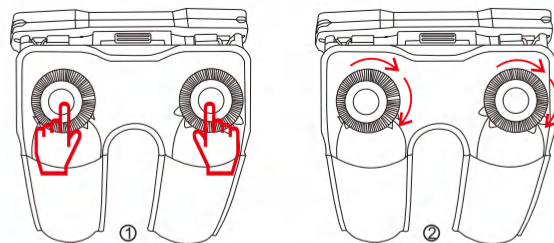
The lanyard of the wrist strap must be installed on the four corners of A. B. C. D. of the base.

Install equipment

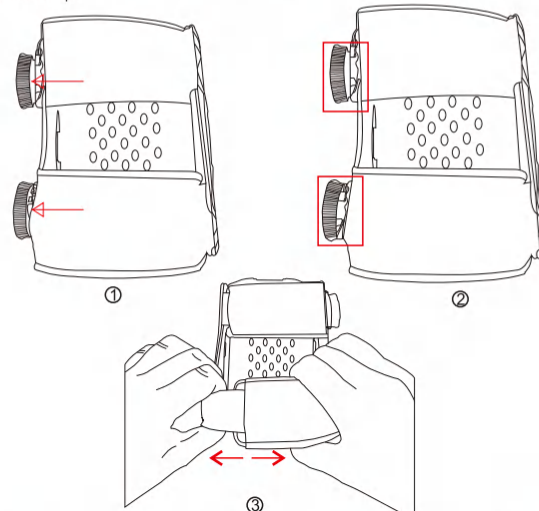


Press the red button to disassemble the device.

Adjust the wrist mount



1. Press the two knobs, turn clockwise to the left, and shrink the wrist strap.



2. Pull up in two knobs, then pull the strap sideways to lengthen the strap.

Precautions

1. Read all information in this guide before using the device to ensure safe and proper operation.
2. Please use the accessories that have been approved by MEFERI and corresponds to this model. Use of any power source, charger, battery, etc. that has not been approved by MEFERI may cause a fire, explosion, or other hazards.
3. Please use device and accessories within the specified temperature range. Equipment failure may occur when the ambient temperature is too high or too low.
4. If the battery is not detachable, please do not replace the battery by yourself in case of any damage to the battery or the device. The battery shall be replaced by authorized service centers only.
5. Do not disassemble the product and its accessories. If the equipment or any of its components are not working properly, please contact and consult our after-sales service center, or send the device to our after-sales service outlets for testing and servicing.
6. If the battery shows abnormal signs of peculiar smell, overheat, color change, distortion or leakage, remove the battery from the charger or the device immediately and stop using it.
7. The battery is made from a flammable and explosive material. Do not disassemble, squeeze, drop and make any other destructive operations on the battery. Do not place the battery in high temperature.
8. Disposal of used batteries is subject to local relevant documents or policies regarding disposal of used batteries.

Warranty Policy

Warranty terms:

1. Under normal circumstances, the warranty period of the device is 12 months, 3 months for accessories, subject to the sales agreement.
2. During the product warranty period, under the normal use conditions (determined by our technical staff), the user will be entitled to a free warranty for damaged or faulty warranty parts.
3. During the warranty period, faults caused by repair, disassembly or modification of the product by a personnel other than our company, improper installation, improper use by the user (failure to follow instructions), serial number damage, accident or natural disaster, will not be covered under the warranty.
4. The warranty will expire immediately if any alterations are made to the warranty card.
5. Please show the equipment SN and purchase certificate for repair. The company reserves the right to interpret the above contents.
6. If you have trouble using the device, please e-mail to meferi@meferi.com.