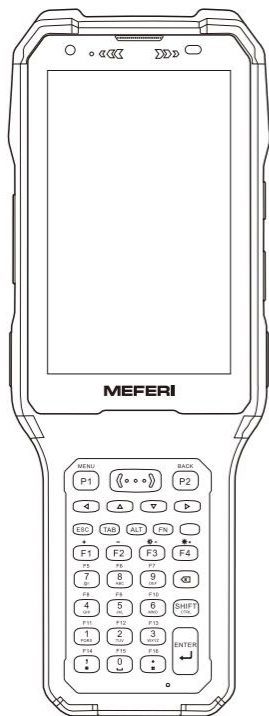


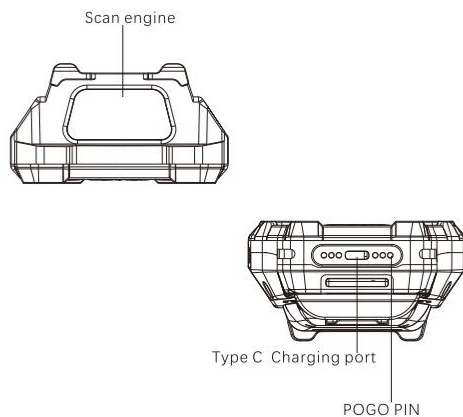
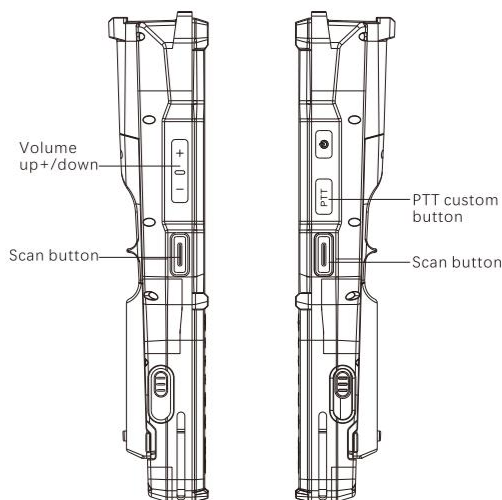
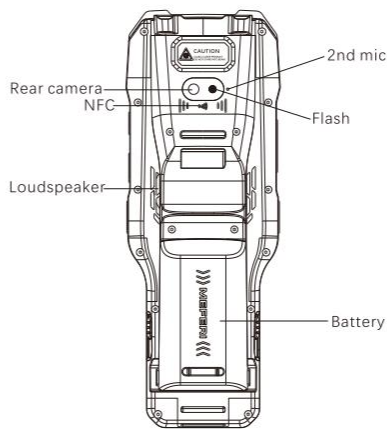
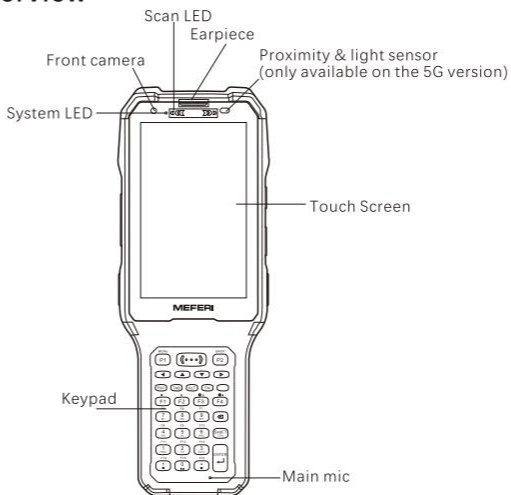
# ME74

## Ultra-Rugged Mobile Computer

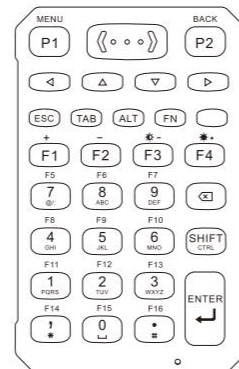
### Quick Start Guide



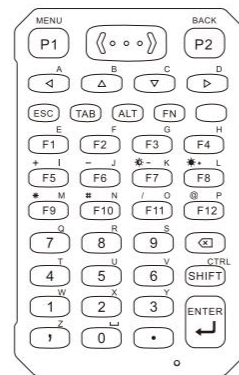
### Overview



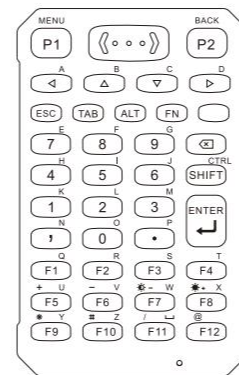
### Keypads Introduction



31 Keypads



39-1 Keypads



39-2 Keypads

### 31 Keypads Introduction

Scan button	Normal mode	<sup>R</sup> SHIFT+key	<sup>O</sup> Orange key+key	Orange key+ <sup>R</sup> [SHIFT+2]+key	<sup>R</sup> FN
	P1	Android Menu, user customizable			
	P2	Android Backspace, user customizable			
		Enable scanning			
	<	Left			
	▲	Up			
	▼	Down			
	>	Right			
	ESC	ESC			
	TAB	TAB			
	ALT	ALT			
	FN	FN function key. Press and release the FN key to activate the keyboard's alternate functions (shown in blue on the key). The FN icon appears in the status bar. Press and release the blue key again to return to the default keyboard functions.			
		Press the orange key, the keyboard can input the corresponding letter (shown in orange on the key), and the icon will appear in the status bar. Press and release the orange key again to return to the default keyboard functions.			
	F1			+	
	F2			-	
	F3			Brightness-	
	F4			Brightness+	
	0	)	space		F15
	1	!	pQRS	PQRS	F11
	2	@	tUV	TUV	F12
	3	#	wXYZ	WXYZ	F13
	4	\$	ghi	GHI	F8
	5	%	jkl	JKL	F9
	6	^	mno	MNO	F10
	7	&	@: /		F5
	8	*	abc	ABC	F6
	9	(	def	DEF	F7
	Delete				
	SHIFT	SHIFT key, press to switch to uppercase. Press twice to lock uppercase, press three times to restore to initial.	CTRL	SHIFT key, press to switch to uppercase. Press twice to lock uppercase, press three times to restore to initial.	
	1	*			F14
	2	#			F16
	Enter function, execute the selected item or function.				

Note: ① Press SHIFT key twice rapidly. If appears in the top right corner of the screen, it indicates success.  
 ② Press the orange key once. If appears in the top right corner of the screen, it indicates success.  
 ③ Press the FN key once. If appears in the top right corner of the screen, it indicates success.  
 ④ Long-press the SHIFT key.

## 39-1 Keypads Introduction

Scan button	Normal mode	<sup>a</sup> SHIFT+key	<sup>o</sup> Orange key+key	Orange key+ <sup>o</sup> (SHIFT×2)+key	<sup>o</sup> FN
	Android Menu, user customizable				
	Android Backspace, user customizable				
	Enable scanning				
	Left		a	A	Left
	Up		b	B	Up
	Down		c	C	Down
	Right		d	D	Right
	ESC				
	TAB				
	ALT				
	FN function key. Press and release the FN key to activate the keyboard's alternate functions (shown in blue on the key). The FN icon appears in the status bar. Press and release the blue key again to return to the default keyboard functions.				
	Press the orange key, the keyboard can input the corresponding letter (shown in orange on the key), and the icon will appear in the status bar. Press and release the orange key again to return to the default keyboard functions.				
	F1	e	E	F1	
	F2	f	F	F2	
	F3	g	G	F3	
	F4	h	H	F4	
	F5	i	I	+	
	F6	j	J	-	
	F7	k	K	Brightness-	
	F8	l	L	Brightness+	
	F9	m	M	*	
	F10	n	N	#	
	F11	o	O	/	
	F12	p	P	@	
	0	)	space	0	
	1	!	w	W	1
	2	@	x	X	2
	3	#	y	Y	3
	4	\$	t	T	4
	5	%	u	U	5
	6	^	v	V	6
	7	&	q	Q	7
	8	*	r	R	8
	9	(	s	S	9
	Del				
	SHFIT switch		CTRL		
	1			n	N
	2			p	P
	Enter function, execute the selected item or function.				

Note:① Press SHIFT key twice rapidly. If appears in the top right corner of the screen, it indicates success.  
 ② Press the orange key once. If appears in the top right corner of the screen, it indicates success.  
 ③ Press the FN key once. If appears in the top right corner of the screen, it indicates success.  
 ④ Long-press the SHIFT key.

## 39-2 Keypads Introduction

Scan button	Normal mode	<sup>a</sup> SHIFT+key	<sup>o</sup> Orange key+key	Orange key+ <sup>o</sup> (SHIFT×2)+key	<sup>o</sup> FN
	Android Menu, user customizable				
	Android Backspace, user customizable				
	Enable scanning				
	Left		a	A	Left
	Up		b	B	Up
	Down		c	C	Down
	Right		d	D	Right
	ESC				
	TAB				
	ALT				
	FN function key. Press and release the FN key to activate the keyboard's alternate functions (shown in blue on the key). The FN icon appears in the status bar. Press and release the blue key again to return to the default keyboard functions.				
	Press the orange key, the keyboard can input the corresponding letter (shown in orange on the key), and the icon will appear in the status bar. Press and release the orange key again to return to the default keyboard functions.				
	F1	q	Q	F1	
	F2	r	R	F2	
	F3	s	S	F3	
	F4	t	T	F4	
	F5	u	U	+	
	F6	v	V	-	
	F7	w	W	Brightness-	
	F8	x	X	Brightness+	
	F9	y	Y	*	
	F10	z	Z	#	
	F11	space		/	
	F12			@	
	0	)	o	O	0
	1	!	k	K	1
	2	@	l	L	2
	3	#	m	M	3
	4	\$	h	H	4
	5	%	i	I	5
	6	^	j	J	6
	7	&	e	E	7
	8	*	f	F	8
	9	(	g	G	9
	Del				
	SHFIT switch		CTRL		
	1		n	N	
	2		p	P	
	Enter function, execute the selected item or function.				

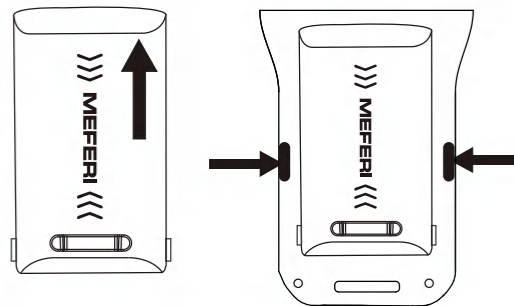
Note:① Press SHIFT key twice rapidly. If appears in the top right corner of the screen, it indicates success.  
 ② Press the orange key once. If appears in the top right corner of the screen, it indicates success.  
 ③ Press the FN key once. If appears in the top right corner of the screen, it indicates success.  
 ④ Long-press the SHIFT key.

## Package Contents

- Device×1
- Battery×1
- Power Adapter×1
- USB Cable×1
- Wearable strap×1
- Quick Start Guide×1

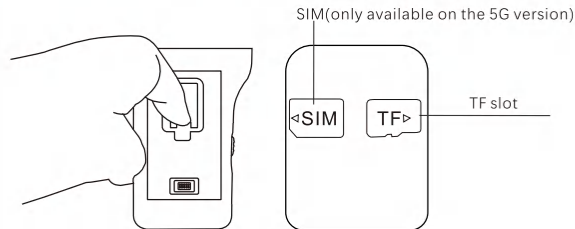
### Battery Installing

Installation and removal the battery in the direction as show.



### TF Card Installation Method

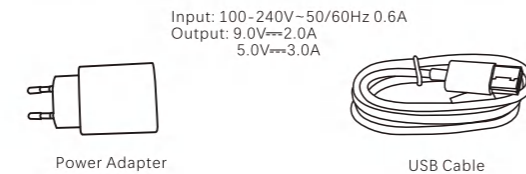
Gently press TF card into the tray to secure it. Follow the prompt to insert TF card into Memory card slot(as shown).Press to the right to remove it.



NOTE: Overexertion should be avoid when installing or removing the TF.

### Instructions for Charging

Connect the USB-A port to the adapter, and the other end to the device.



Input: 100-240V-50/60Hz 0.6A  
 Output: 9.0V==2.0A  
 5.0V==3.0A

### Power Options

- Power on: Press and hold the power button until you see a splash on the device.
- Power off: Press and hold the power button until the pop-up reminder appears and then click "Power off".
- Forced restart: Press and hold the power button for 10 seconds.
- Fast start: The battery can be replaced within 5 minutes when the power is on, and it can be activated immediately after pressing the power button.

## Indicator

Battery		Full power
		Medium power
		Low power
		Good signal(only available on the 5G version)
Network Signal		Unstable signal (only available on the 5G version)
	NONE	SIM card not installed (only available on the 5G version)
		No service(only available on the 5G version)
WiFi		WiFi connected
	NONE	WiFi switched off

## Precautions

1. Read all information in this guide before using the device to ensure safe and proper operation.
2. Please use the accessories that have been approved by MEFERI and corresponds to this model. Use of any power source, charger, battery, etc. that has not been approved by MEFERI may cause a fire, explosion, or other hazards.
3. Please use device and accessories within the specified temperature range. Equipment failure may occur when the ambient temperature is too high or too low.
4. If the battery is not detachable, please don't replace the battery by yourself in case of any damage to the battery or the device. The battery shall be replaced by authorized service centers only.
5. Do not disassemble the product and its accessories. If the device or any of its components are not working properly, please contact and consult our after-sales service center, or send the device to our after-sales service outlets for testing and servicing.
6. If the battery shows abnormal signs of peculiar smell, overheat, color change, distortion or leakage, remove the battery from the charger or the device immediately and stop using it.
7. The battery is made from a flammable and explosive material. Do not disassemble, squeeze, drop and make any other destructive operations on the battery. Do not place the battery in high temperature.
8. Disposal of used batteries is subject to local relevant documents or policies regarding disposal of used batteries.

## Warranty Policy

Warranty terms:

1. Under normal circumstances, the warranty period of the device is 12 months, 3 months for accessories, subject to the sales agreement.
2. During the product warranty period, under the normal use conditions (determined by our technical staff), the user will be entitled to a free warranty for damaged or faulty warranty parts.
3. During the warranty period, faults caused by repair, disassembly or modification of the product by a person other than our company, improper installation, improper use by the user (failure to follow instructions), serial number damage, accident or natural disaster, will not be covered under the warranty.
4. The warranty will expire immediately if any alterations are made to the warranty card.
5. Please show the equipment SN and purchase certificate for repair. The company reserves the right to interpret the above contents.
6. If you have trouble using the device, please e-mail to meferi@meferi.com.